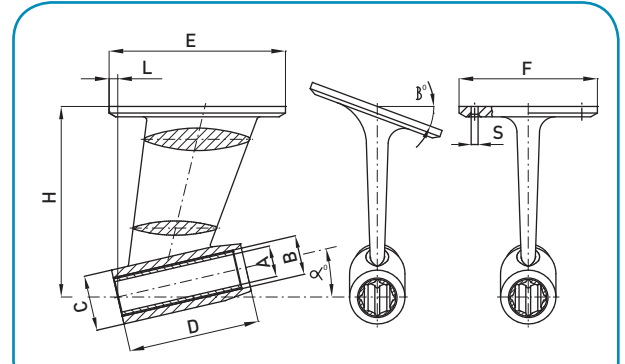


Supporti a base e a resinare Platform and glass in brackets

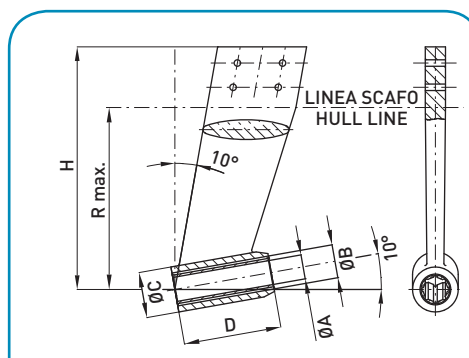
Supporti per asse porta-elica a base per montaggio esterno e supporti a resinare per una maggiore flessibilità di installazione. I supporti vengono prodotti in lega OT.Man.

Platform brackets are used for external fixing to the ship's hull. Glass in brackets offer better flexibility in terms of installation. The P brackets are manufactured in OT.Man Alloy.



Supporti a base / Platform brackets

CODICE CODE	A mm	B mm	C mm	D mm	E mm	F mm	L mm	H max mm	n° fori n° holes	S mm
95D025	25	38,1	50	102	132	110	5	180	4	8
95D030	30	44,45	60	127	158	132	6	200	4	10
95D035	35	47,62	65	140	184	154	7	230	6	10
95D040	40	53,97	70	165	210	176	8	260	6	12
95D045	45	60,32	85	178	235	198	9	300	6	12
95D050	50	66,67	90	203	260	220	10	350	6	12
95D060	60	82,55	115	255	340	270	12	400	8	16
95D070	70	95,25	130	295	400	310	14	450	8	16
95D080	80	101,6	140	320	455	355	16	500	8	16
95D090	90	114,3	160	380	510	400	18	550	8	20
95D100	100	133,35	180	430	565	445	20	600	8	20



Supporti a resinare / Glass in brackets

CODICE CODE	A mm	B mm	C mm	D mm	R mm	H mm
95VTR025	25	38,1	48	102	200	400
95VTR030	30	44,45	58	127	200	400
95VTR035	35	47,62	62	140	245	450
95VTR040	40	53,97	70	165	245	450
95VTR045	45	60,32	80	178	315	550
95VTR050	50	66,67	88	203	315	550
95VTR060	60	82,55	113	255	400	670
95VTR070	70	95,25	130	295	450	750